

INSTALLATION INSTRUCTIONS

HEI REMOTE COIL ADAPTER

Part No. 390802

Step 1

Disconnect the battery (-) cable to cut power to the system until installation is complete.

Step 2

Disconnect the distributor plug (w/3 wires), 12-volt/ignition switch plug (w/1 wire) and tach lead (if equipped) from the distributor cap. See Figure 1.

Step 3

Remove the spark plug wire retainer and the coil cover.

Step 4

Remove the HEI coil from the distributor cap. Do not remove the carbon brush with spring or the rubber washer.

Step 5

Install the Jacobs external coil adapter. Secure using the original coil cover screws. Install the Jacobs spark plug wire retainer using the screws provided. See Figure 1.

Step 6

Connect the distributor plug and 12-volt/ignition switch plug to the Jacobs adapter/harness provided. Continue wiring the Jacobs adapter harness as shown in Figure 2 or 3. Connect the battery (-) cable.

FIGURE 1

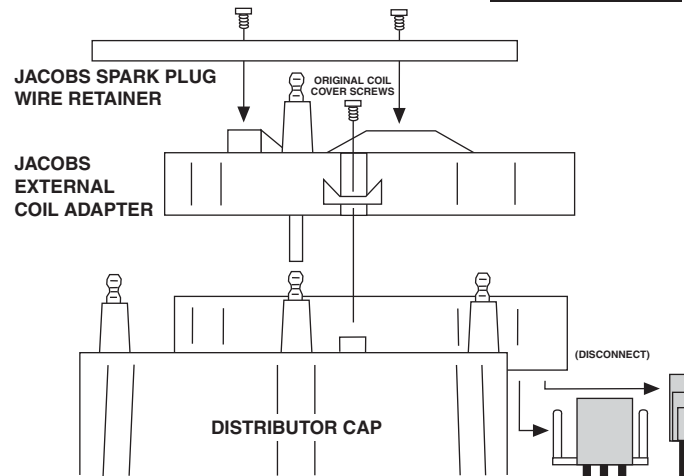


FIGURE 2

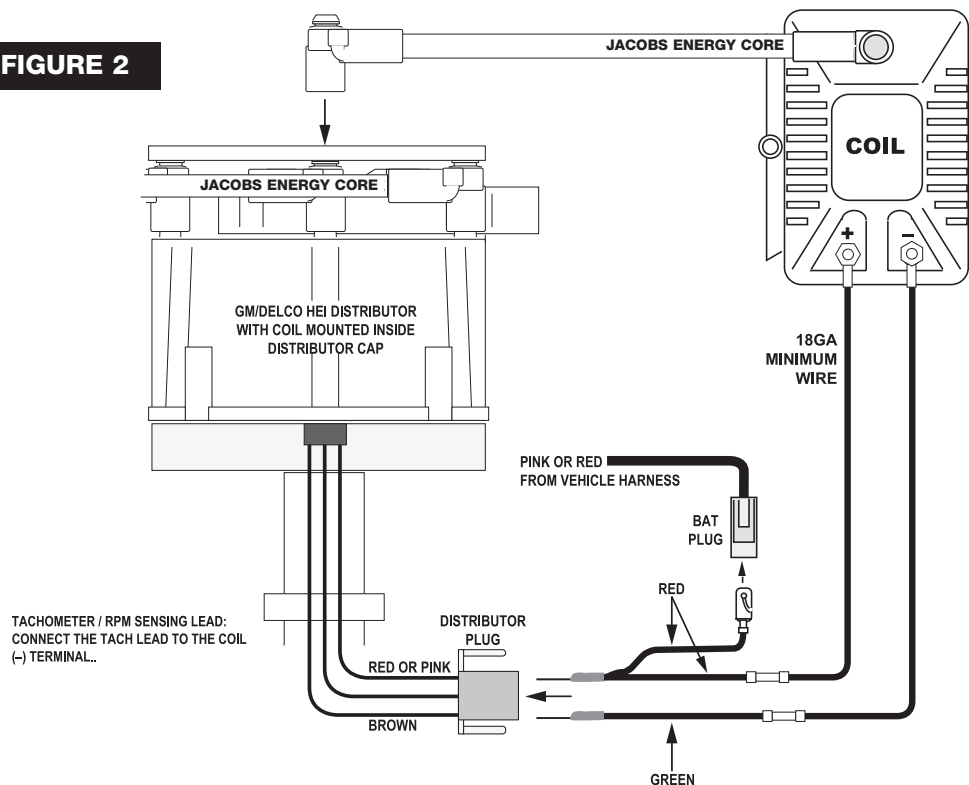
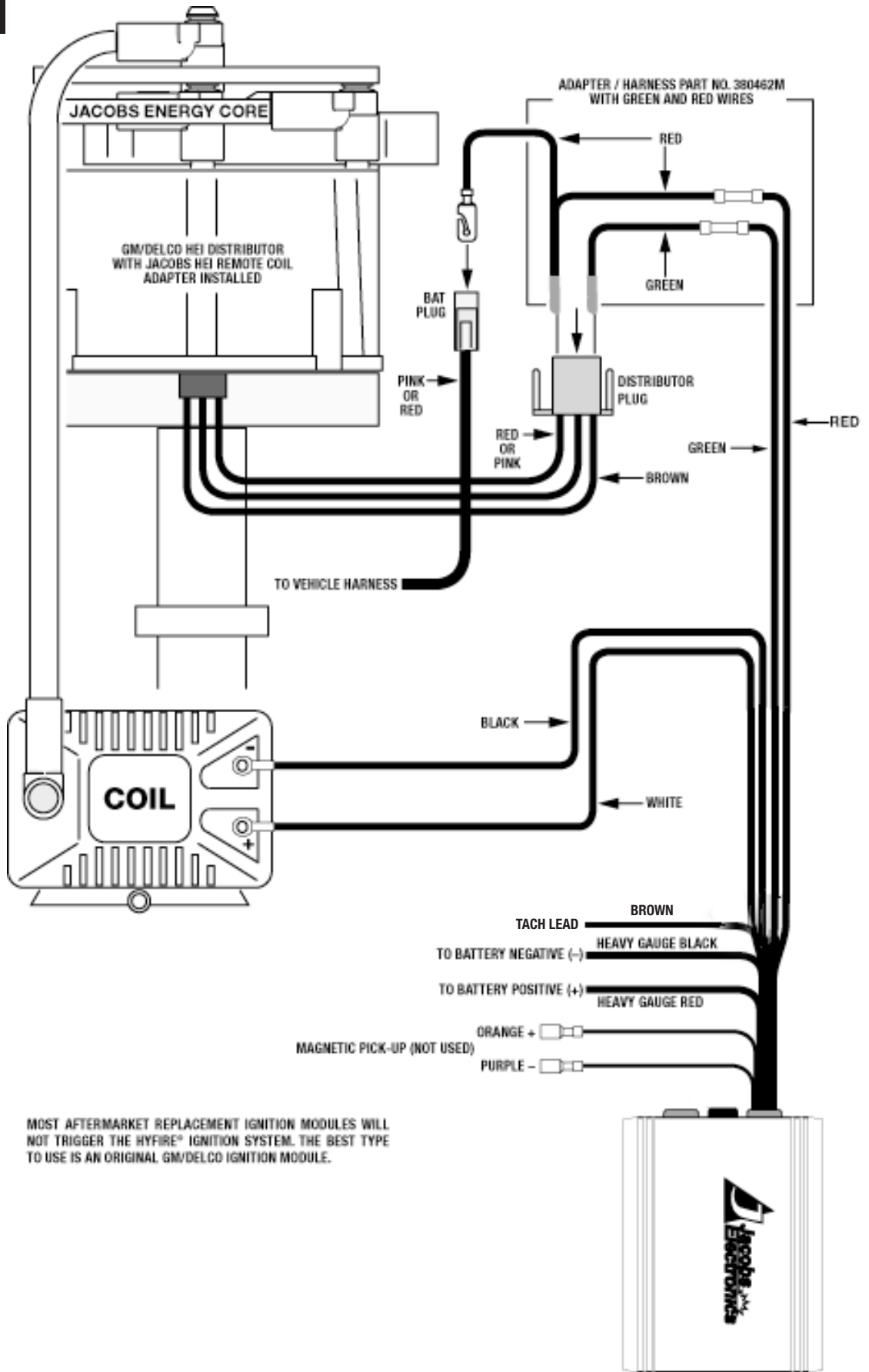


FIGURE 3



MOST AFTERMARKET REPLACEMENT IGNITION MODULES WILL NOT TRIGGER THE HYFIRE® IGNITION SYSTEM. THE BEST TYPE TO USE IS AN ORIGINAL GM/DELCO IGNITION MODULE.



JACOBS ELECTRONICS IS A DIVISION OF THE MR. GASKET PERFORMANCE GROUP
 10601 MEMPHIS AVE. #12, CLEVELAND, OH 44144
 216.688.8300 FAX 216.688.8306

FORM 810-30-002
 12/04
 Made in U.S.A.
 Printed in U.S.A.